



# 5-BAY RAID BOX

Manual



5-BAY RAID BOX

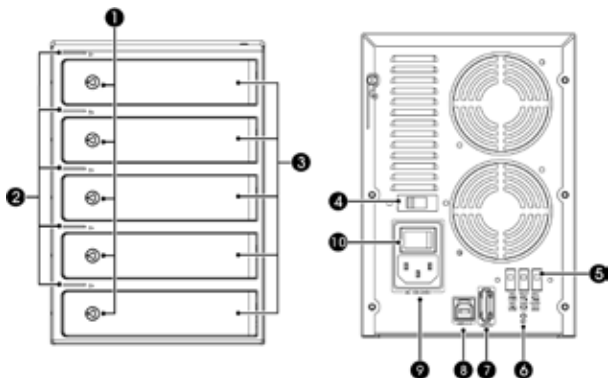
## 1. Features

- External RAID case with five mounting bays for 3.5" SATA HDDs
- RAID modes: Standard, 0, 1/10, 3, 5 and Combined (JBOD)
- Easy RAID mode selection
- No additional software required
- Fast Swap mechanism for easy HDD handling
- Premium quality craftsmanship
- On/off button
- LED indications for power and HDD activity
- Two pre-installed 60 mm fans
- Supported operating systems: Win XP/Vista/7 (32-bit and 64-bit)

## 2. Specifications

- External interfaces: USB3.0 (downward compatible with USB2.0 and USB1.x) and eSATA
- Internal interfaces: SATA (SATA I and II)
- Dimensions: 265 x 130 x 185 mm (L x W x H)
- Weight (empty): 3470 g

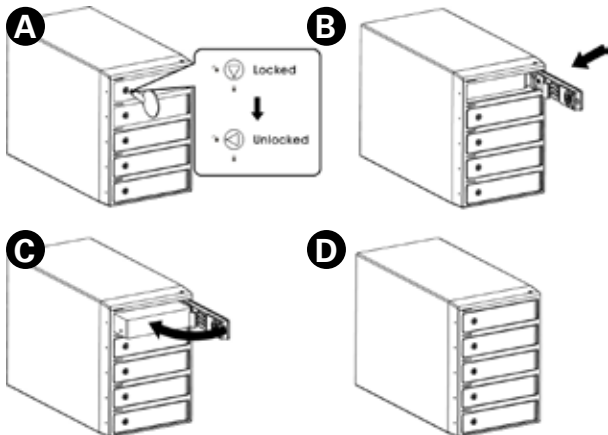
### 3. The device at a glance



- 1 - Door lock
- 2 - LEDs for HDD activity
- 3 - HDD mounting bays
- 4 - Voltage switch
- 5 - RAID switch
- 6 - Set button
- 7 - eSATA connector
- 8 - USB3.0 connector
- 9 - Power connector
- 10 - On/off switch

## 4. Getting started

### 4.1 HDD installation

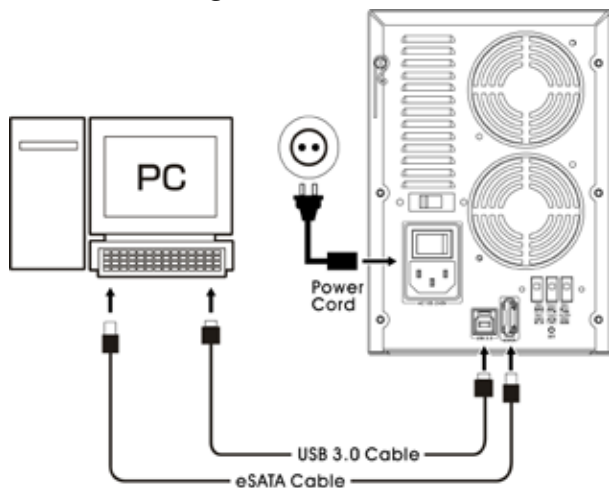


1. Open the door lock (A).
2. Open the front lid (B).
3. Slide a 3.5" SATA HDD (label facing upwards) into the respective mounting bay (C).
4. Close and lock the mounting bay (D).

**Attention:**

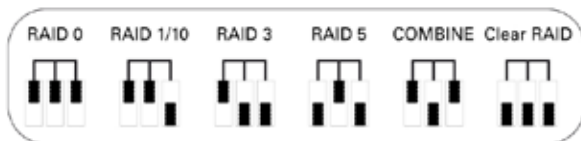
*Before turning on the device, make sure the voltage switch is toggled to the correct voltage.*

## 4.2 Connecting to a PC



## 5. The RAID modes

### 5.1 Overview



## 5.2 Clear existing RAID

*Note:*

*Before deleting an existing RAID make sure to backup your data as they will be lost afterwards!*

1. Switch off the device.
2. Toggle the RAID switch on the device's backside to "Clear RAID".
3. Press "Set" and power on the device simultaneously.
4. The device will beep and the existing RAID is erased.

## 5.3 Set RAID mode

1. Switch off the device.
2. Toggle the RAID switch on the device's backside to the desired RAID mode.
3. Press "Set" and power on the device simultaneously.
4. The device will beep and the desired RAID mode is set.

## 5.4 Remove defective RAID HDD

In case a HDD inside a RAID array gets defective, the front LEDs for HDD activity will cease and the device will beep until the "Set" button is pressed.

In a RAID 1, 3, 5 and 10 array the data can be restored by rebuilding the array (see 5.5).

Data from an existing RAID 0 or Combined mode are lost. Change the defective HDD and delete the RAID array (s. 5.2).

## 5.5 Rebuild

*Note:*

*The new HDD must provide at least the same capacity as the replaced one.*

*Do not change the RAID mode prior to the rebuilding.*

*Do not change the HDD order before commencing the rebuild process.*

1. Switch off the device.
2. Change the defective HDD.
3. Power on the device, the rebuild procedure will start automatically even when the device is disconnected from your PC.

## 6. Important notes

After 5 minutes of inactivity the device will switch to sleep mode. During sleep mode all HDDs and the built-in fans will be switched off.

Sleep mode ends as soon as the device is accessed.

## Legal disclaimer:

For potential loss of data, especially due to inappropriate handling, SHARKOON assumes no liability.

All named products and descriptions are trademarks and/or registered trademarks of the respective manufacturers and are accepted as protected.

As a continuing policy of product improvement at SHARKOON, the design and specifications are subject to change without prior notice. National product specifications may vary.

### Disposal of your old product

Your product is designed and manufactured with high quality materials and components, which can be recycled and reused.



When this crossed-out wheeled bin symbol is attached to a product, it means the product is covered by the European Directive 2002/96/EC.

Please be informed about the local separate collection system for electrical and electronic products.

Please act according to your local rules and do not dispose of your old products with your normal household waste. The correct disposal of your old product will help prevent potential negative consequences to the environment and human health.